

VistaFoam™

Closure strips
For panel opening filler

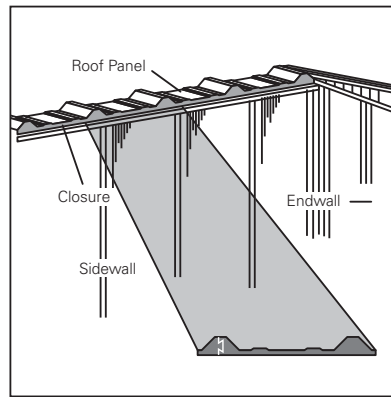
- The industry standard for closure material — time tested— millions of feet installed over the last 30-plus years.
- Polyethylene foam for exceptional strength and compressibility.
- Available with adhesive applied to assure positive positioning during installation.

- Interlocking dovetail connections available on many profiles.
- Resists damaging ultra violet rays and ozone deterioration.
- Hundreds of panel configurations available.
- One person Installation.

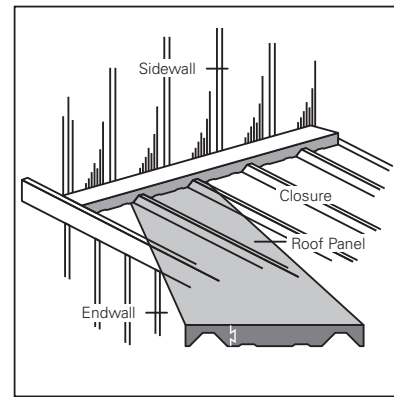
Application

VistaFoam™ Closure

Material Thickness: 1", 1-1/2", 2"
Color: Charcoal



Typical Inside Closure Application



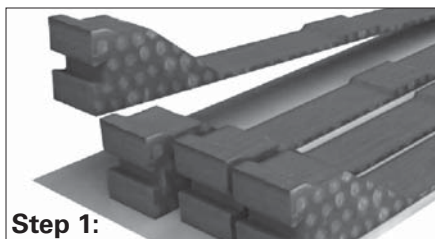
Typical Outside Closure Application

Technical Properties

Test	Test Method	Units	Values 1"	Values 1-1/2" & 2"
Density	BS ISO 7214 1998	lb/ft³	1.5	1.8
Working Temperature Range	Internal	°F	212 max	212 max
			-94 min	-94 min
Compression Deflection	BS ISO 7214 1998	psi	25% 7.7	9.3
			50% 17.1	19.0
Compression Set	BS ISO 7214 1998	% set	25% - 1/2 hr 13.0	10.5
			25% - 24 hr 5	3
Tear Strength	BS EN ISO 8067 1995	lb/in	2.8	4.2
Tensile Strength	ISO 7214 1998	psi	46.4	54.4
Elongation		%	130	140
Flammability	FMVSS302	4"/min	Pass	Pass
Shore Hardness	ISO 868 1985	OO	50	53

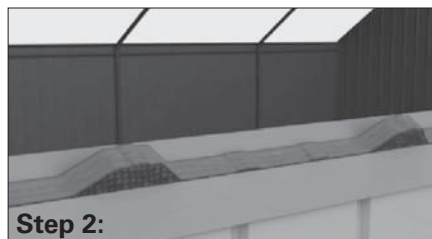
VistaFoam closure is not recommended for installation or placement beneath translucent or clear materials where it may be exposed to direct sunlight. The potential intensification of the sun's rays may result in increased temperatures which could effect the condition of the material.

Not all closure profiles available in all material thicknesses.



Step 1:

Ensure the self-adhesive closure configuration fits the roof panel used.



Step 2:

The inside closure fits the underside of the panel. Position the honeycomb texture side outward for optimal UV protection.



Step 3:

Place the roof panel over pre-cut closure configuration for a snug fit. Attach panel over closure with the proper fasteners.