

#12 Phillips Head DEKFAST™ DF-#12-PH3



Features and Benefits

- Extra stable #3 Phillips drive
- Drill point design prevents fastener walking
- 13 threads per inch provides higher pull-out values
- Drill point cuts through gravel and BUR
- Cathodic epoxy e-coat

Application

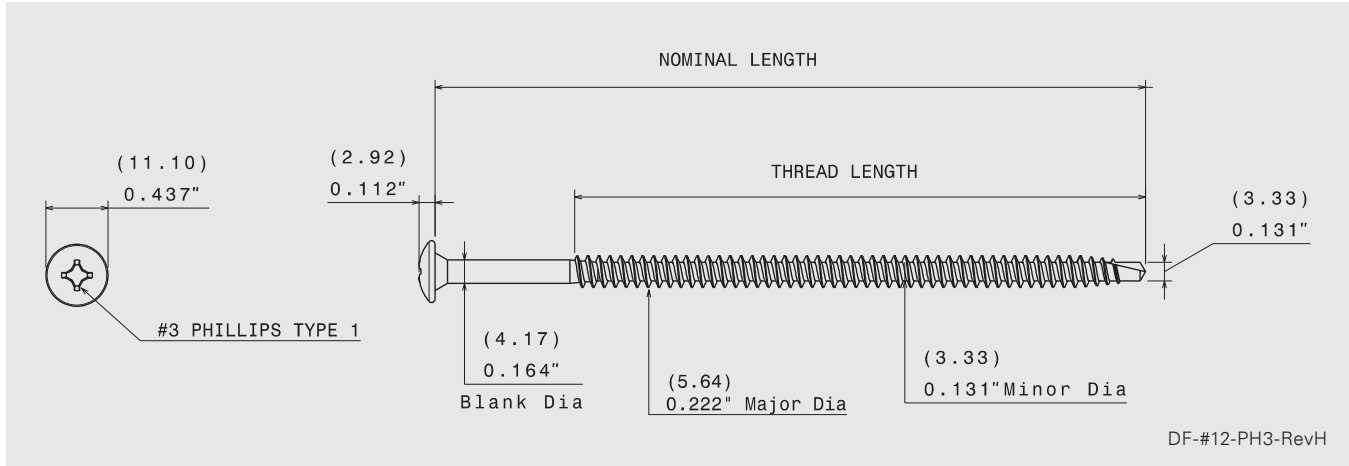
Insulation and cover board attachment to steel and wood roof decks

Product Selection

Material No.	Fastener Length	Thread* Length	Description	Carton Wt. (lbs.)	Carton Qty.
785683	1-5/8"	Full	DF-#12x1-5/8-PH3-E0999-B	13	1,000
785698	2-1/4"	Full	DF-#12x2-1/4-PH3-E0999-B	17	1,000
1635618	3"	Full	DF-#12x3-PH3-E0999-B	20	1,000
1655249	4"	Full	DF-#12x4-PH3-E0999-B	30	1,000
785797	5"	4"	DF-#12x5-PH3-E0999-B	34	1,000
785818	6"	4"	DF-#12x6-PH3-E0999-B	41	1,000
785835	7"	4"	DF-#12x7-PH3-E0999-B	24	500
785851	8"	4"	DF-#12x8-PH3-E0999-B	28	500

*Note – Thread length measured from tip of the drill point to end of the threads.

#12 Phillips Head DEKFAST™ DF-#12-PH3



Coating and Corrosion

15/15 Kesternich per FM 4470
800 hour salt spray per ASTM B117
Cathodic epoxy e-coat

Approvals



State of Florida: FL20311

16-0712.08

Performance Data^{1,2}

Material Strength

Tensile	3100 lbf / 13789 N
Shear	1800 lbf / 8007 N
Torsional	60 lbf-in / 6.78 N·m

Pull Out Strength Wood

2x dimensional lumber (1" penetration) (25.4 mm):	462 lbf / 2055 N
3/4" (19.1 mm) FR Plywood (through penetration):	575 lbf / 2558 N

Pull Out Strength Steel

18 Ga (1.2 mm):	787 lbf / 3501 N
20 Ga (0.9 mm):	695 lbf / 3092 N
22 Ga (0.8 mm):	564 lbf / 2509 N

¹ SFS-SC12250.10.17

² SFS 5509.18

Installation and Application Considerations

Tools: 2000–2500 rpm screw guns with hardened #3 Phillips bit. #12 Dekfast fasteners can be pre-assembled with metal or plastic insulation plates and installed using SFS Stealth tool.

The standard carton package includes one #3 Phillips bit.

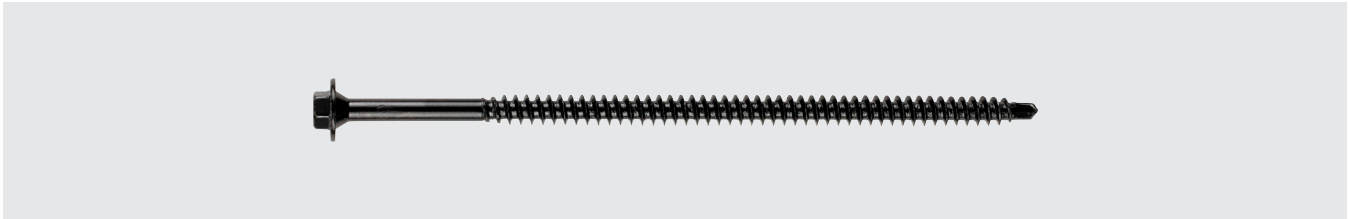
Material:

- Steel thickness from 22 ga (0.030 in.) through 18 ga (0.048 in.); Min penetration: 3/4"
- Wood 2x (1-1/2" thick): Min penetration: 1"
- Plywood and OSB: Min through penetration: 3/4"

Metric values are approximate conversions.

The details stated are results of tests and/or calculations and therefore are non-binding and do not represent warranties or warranted characteristics for not specified applications. All calculations therefore have to be checked and approved by the responsible planner ahead of execution. The user is responsible to assure compliance with all applicable laws and regulations.

#12 Hex Head DEKFAST™ DF-#12-HW1/4



Features and Benefits

- 1/4" hex head drive
- Drill point design prevents fastener walking
- 13 threads per inch provides higher pull-out values
- Drill point cuts through gravel and BUR
- Cathodic epoxy e-coat

Application

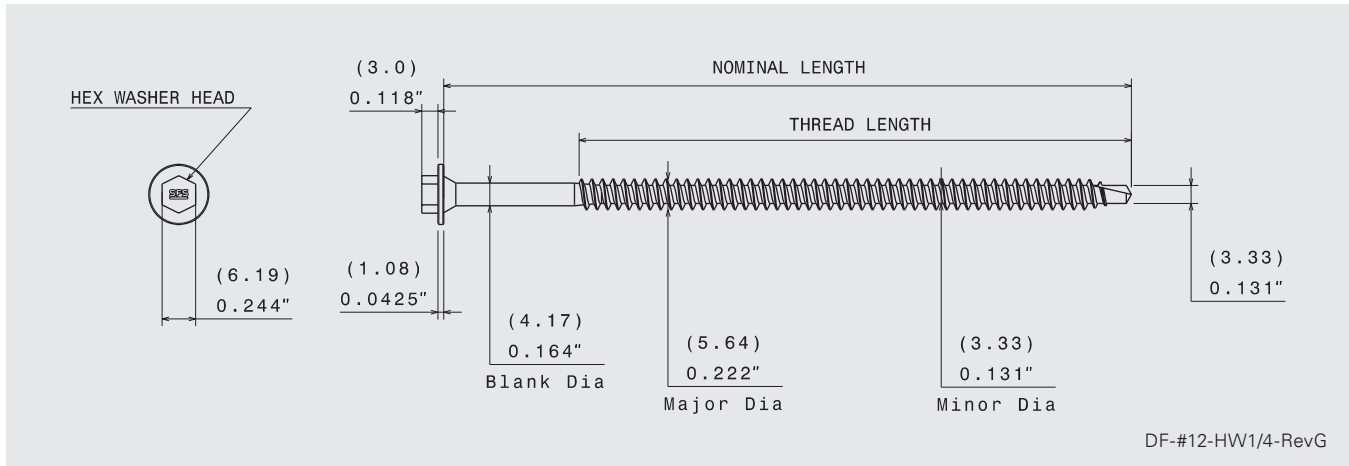
Insulation and cover board attachment to steel and wood roof decks

Product Selection

Material No.	Fastener Length	Thread* Length	Description	Carton Wt. (lbs.)	Carton Qty.
790081	1-5/8"	Full	DF-#12x1-5/8-HW1/4-E0999-B	14	1,000
790087	2-1/4"	Full	DF-#12x2-1/4-HW1/4-E0999-B	18	1,000
790090	2-7/8"	Full	DF-#12x2-7/8-HW1/4-E0999-B	23	1,000
790093	3-1/4"	3"	DF-#12x3-1/4-HW1/4-E0999-B	26	1,000
790099	3-3/4"	3"	DF-#12x3-3/4-HW1/4-E0999-B	29	1,000
790102	4-1/2"	4"	DF-#12x4-1/2-HW1/4-E0999-B	34	1,000
790105	5"	4"	DF-#12x5-HW1/4-E0999-B	37	1,000
790108	6"	4"	DF-#12x6-HW1/4-E0999-B	44	1,000
790115	7"	4"	DF-#12x7-HW1/4-E0999-B	25	500
790118	8"	4"	DF-#12x8-HW1/4-E0999-B	28	500

*Note – Thread length measured from tip of the drill point to end of the threads.

#12 Hex Head DEKFAST™ DF-#12-HW1/4



Coating and Corrosion

15/15 Kesternich per FM 4470
800 hour salt spray per ASTM B117
Cathodic epoxy e-coat

Approvals



State of Florida: FL20311

16-0712.08

Performance Data^{1,2}

Material Strength

Tensile	3100 lbf / 13789 N
Shear	1800 lbf / 8007 N
Torsional	60 lbf-in / 6.78 N·m

Pull Out Strength Wood

2x dimensional lumber (1" penetration) (25.4 mm):	462 lbf / 2055 N
3/4" (19.1 mm) FR Plywood (through penetration):	575 lbf / 2558 N

Pull Out Strength Steel

18 Ga (1.2 mm):	787 lbf / 3501 N
20 Ga (0.9 mm):	695 lbf / 3092 N
22 Ga (0.8 mm):	564 lbf / 2509 N

¹ SFS-SC12250.10.17

² SFS 5509.18

Installation and Application Considerations

Tools: 2000–2500 rpm screw guns with 1/4" hex head drive bit. #12 Dekfast fasteners can be pre-assembled with metal or plastic insulation plates and installed using SFS Stealth tool.

The standard carton package includes one #1/4" hex socket for HWH.

Material:

- Steel thickness from 22 ga (0.030 in.) through 18 ga (0.048 in.); Min penetration: 3/4"
- Wood 2x (1–1/2" thick): Min penetration: 1"
- Plywood and OSB: Min through penetration: 3/4"

Metric values are approximate conversions.

The details stated are results of tests and/or calculations and therefore are non-binding and do not represent warranties or warranted characteristics for not specified applications. All calculations therefore have to be checked and approved by the responsible planner ahead of execution. The user is responsible to assure compliance with all applicable laws and regulations.

#12 Purlin DEKFAST™ DF-#12-PC-SQ3



Features and Benefits

- Extra stable #3 square drive provides superior bit engagement
- Drill point design prevents fastener walking
- 24 threads per inch allow for easier driving of the fastener and greater pull-out values
- Shank diameter is smaller than that of the drill point and the outside thread diameter, allowing thick metal to be drilled and cleared of chips before threads tap into metal
- Cathodic epoxy e-coat

Application

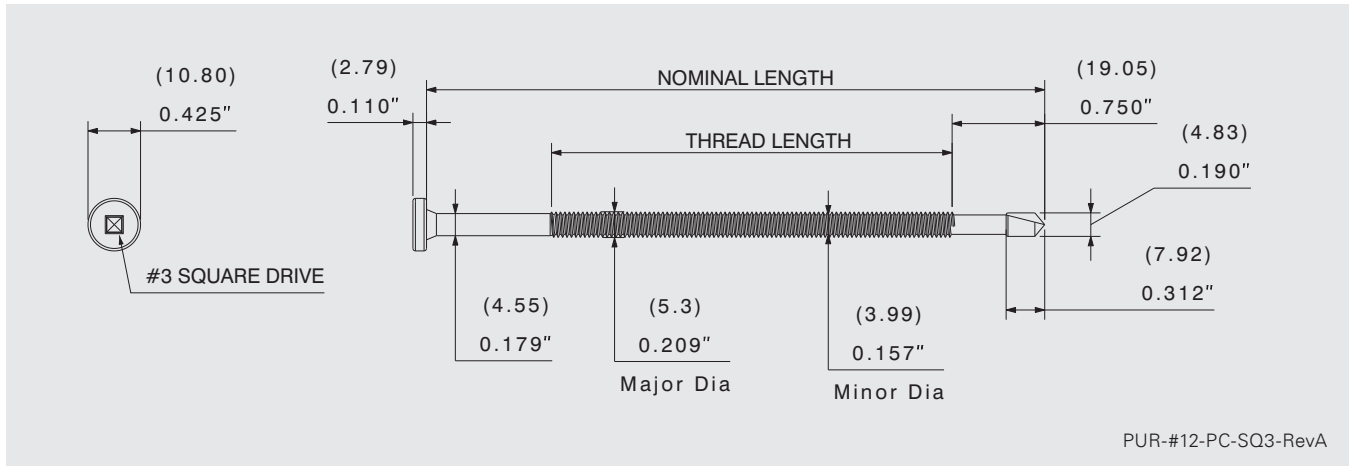
For retrofit roofing where heavy gauge purlin material must be penetrated

Product Selection

Material No.	Fastener Length	Thread* Length	Pilot Length	Description	Carton Wt. (lbs.)	Carton Qty.
1202224	3-3/4"	2-5/8"	3/4"	PUR-#12x3-3/4-PC-SQ3-E0999-B	33	1,000
1202226	4-3/4"	2-5/8"	3/4"	PUR-#12x4-3/4-PC-SQ3-E0999-B	41	1,000
1202228	5-3/4"	2-5/8"	3/4"	PUR-#12x5-3/4-PC-SQ3-E0999-B	48	1,000
1202230	6-3/4"	2-5/8"	3/4"	PUR-#12x6-3/4-PC-SQ3-E0999-B	28	500

*Note – Thread length measured from end of the pilot length to end of the threads.

#12 Purlin DEKFAST™ DF-#12-PC-SQ3



Coating and Corrosion

15/15 Kesternich per FM 4470
800 hour salt spray per ASTM B117
Cathodic epoxy e-coat

Performance Data^{1,2}

Material Strength

Tensile	2300 lbf / 10231 N
Torsional	100 lbf-in / 11.30 N-m

Pull Out Strength Steel

12 Ga (2.6 mm):	1477 lbf / 6570 N
14 Ga (1.9 mm):	869 lbf / 3866 N
16 Ga (1.5 mm):	599 lbf / 2664 N
18 Ga (1.2 mm):	424 lbf / 1886 N
3/16" (4.8 mm):	2300* lbf / 10231 N
1/4" (6.4 mm):	2300* lbf / 10231 N

* Denotes tensile failure of fastener (fastener failed in tension before pulling out of tabulated substrate). Fasteners are designed for the attachment of roofing materials to purlins. Designated pull-out values depend on the quality of materials to which the fastener is being attached. Pull-out tests need to be conducted to verify that the substrate provides adequate pull-out values.

¹ SFS-SC12250.10.17

² SFS 5509.18

Installation and Application Considerations

Tools: 1800–2500 rpm screw gun equipped with depth sensing nosepiece. The standard carton package includes one Square Drive Bit #3.

Up to 1/4" purlin steel

- Steel thickness from 18 ga (0.048") through 1/4" (0.250")

Metric values are approximate conversions.

The details stated are results of tests and/or calculations and therefore are non-binding and do not represent warranties or warranted characteristics for not specified applications. All calculations therefore have to be checked and approved by the responsible planner ahead of execution. The user is responsible to assure compliance with all applicable laws and regulations.

#14 Phillips Head DEKFAST™ DF-#14-PH3



Features and Benefits

- Extra stable #3 Phillips drive, recessed in truss head
- Low profile truss head can be used for clip attachment in applications where head height is important
- 10 threads per inch for ease of installation in concrete roof decks
- The proprietary asymmetric reduced drill point provides for ultimate pull-out values by producing a minimum opening. Thread engagement is superior as compared to standard drill points
- Cathodic epoxy e-coat

Application

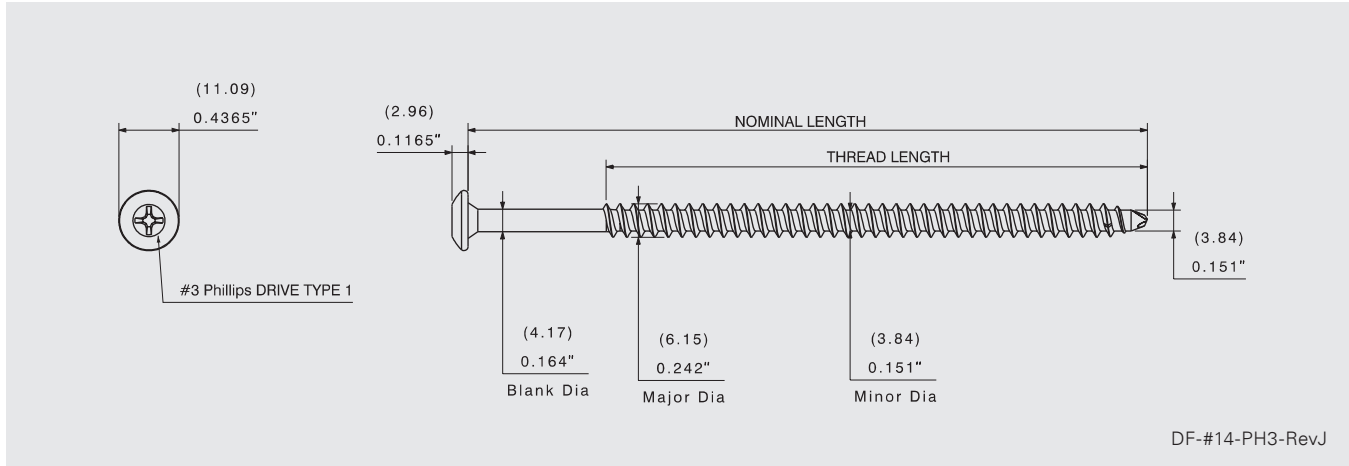
Insulation and membrane attachment to steel, wood and structural concrete decks

Product Selection

Material No.	Fastener Length	Thread* Length	Description	Carton Wt. (lbs.)	Carton Qty.
1202602	1-1/4"	Full	DF-#14x1-1/4-PH3-E0999-B	12	1,000
1203249	2"	Full	DF-#14x2-PH3-E0999-B	19	1,000
1203528	3"	Full	DF-#14x3-PH3-E0999-B	24	1,000
1203578	4"	Full	DF-#14x4-PH3-E0999-B	30	1,000
1203605	5"	4"	DF-#14x5-PH3-E0999-B	45	1,000
1203632	6"	4"	DF-#14x6-PH3-E0999-B	46	1,000
1203659	7"	4"	DF-#14x7-PH3-E0999-B	28	500
1203810	8"	4"	DF-#14x8-PH3-E0999-B	31	500
1204081	9"	4"	DF-#14x9-PH3-E0999-B	34	500
1202260	10"	4"	DF-#14x10-PH3-E0999-B	38	500
1202597	11"	4"	DF-#14x11-PH3-E0999-B	41	500
1202600	12"	4"	DF-#14x12-PH3-E0999-B	45	500

*Note – Thread length measured from tip of the drill point to end of the threads.

#14 Phillips Head DEKFAST™ DF-#14-PH3



DF-#14-PH3-RevJ

Coating and Corrosion

15/15 Kesternich per FM 4470
800 hour salt spray per ASTM B117
Cathodic epoxy e-coat

Approvals



State of Florida: FL20311

16-0712.08

Performance Data^{1,2}

Material Strength

Tensile	3300 lbf / 14679 N
Shear	2100 lbf / 9341 N
Torsional	110 lbf-in / 12.43 N-m

Pull Out Strength Steel

18 Ga (1.2 mm):	900 lbf / 4003 N
20 Ga (0.9 mm):	635 lbf / 2825 N
22 Ga (0.8 mm):	457 lbf / 2033 N

¹ SFS-SC12250.10.17

² SFS 5509.18

Pull Out Strength Wood

2x dimensional lumber (1" penetration) (25.4 mm):	605 lbf / 2691 N
3/4" (19.1 mm) FR Plywood (through penetration):	590 lbf / 2624 N

Pull Out Strength Concrete

4000 psi (1" penetration) (25.4 mm):	850 lbf / 3781 N
---	------------------

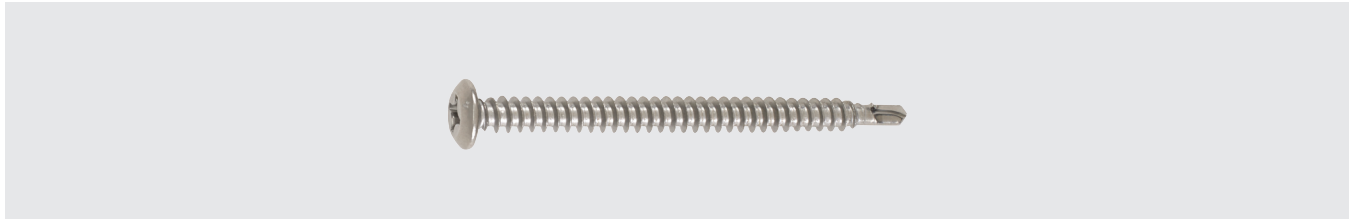
Installation and Application Considerations

Tools: 2000–2500 rpm screw guns with hardened #3 Phillips bit. For structural concrete, 3/16" carbide bit and 1500 rpm max screw guns, or hammer drills in the hammer mode. Structural concrete to be predrilled with standard 3/16" carbide bit to minimum 1/2" deeper than fastener penetration. The standard carton package includes one #3 Phillips bit.

Material:

- Steel thickness from 22 ga (0.030 in.) through 18 ga (0.048 in.): Min penetration: 3/4"
- Wood 2x (1-1/2" thick): Min penetration: 1"
- Plywood and OSB: Min through penetration: 3/4"
- Structural Concrete: Min penetration: 1"

#14 Stainless DEKFAST™ DF-S4-#14



Features and Benefits

- 410 stainless steel provides resistance to corrosion in mild to light industrial environments
- Extra stable #3 Phillips drive
- Low profile truss head
- 13 threads per inch provides higher pull-out values

Application

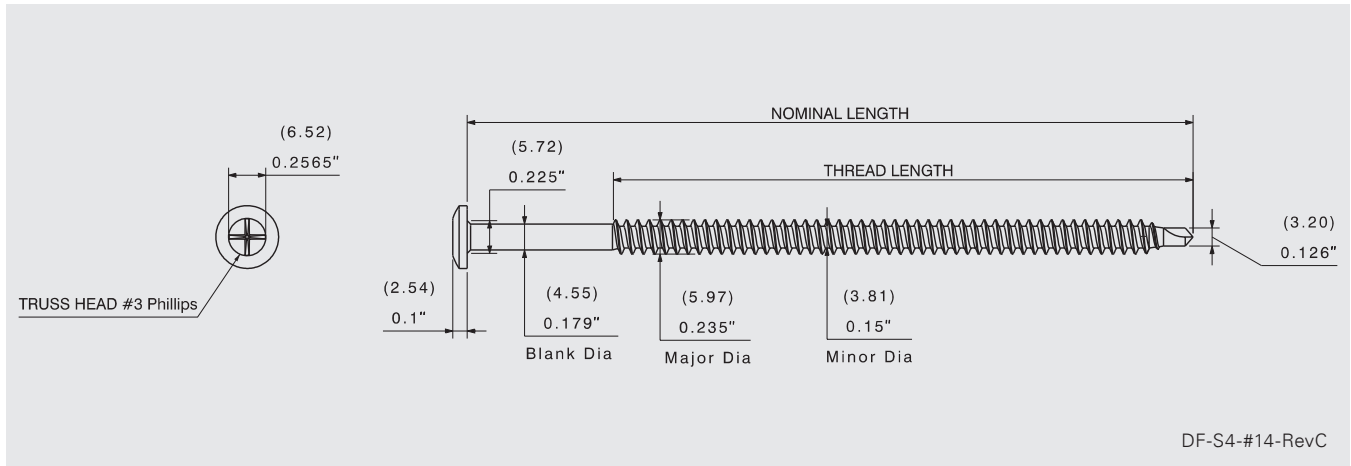
Insulation and membrane attachment to steel or wood in a corrosive environment

Product Selection

Material No.	Fastener Length	Thread* Length	Description	Carton Wt. (lbs.)	Carton Qty.
791371	1-1/2"	Full	DF-S4-#14x1-1/2-PH3-B	14	1,000
791373	2"	Full	DF-S4-#14x2-PH3-B	18	1,000
791376	3"	2-7/8"	DF-S4-#14x3-PH3-B	25	1,000
791379	4"	3-7/8"	DF-S4-#14x4-PH3-B	32	1,000
791381	5"	3-7/8"	DF-S4-#14x5-PH3-B	39	1,000
791383	6"	3-7/8"	DF-S4-#14x6-PH3-B	46	1,000
791385	7"	3-7/8"	DF-S4-#14x7-PH3-B	27	500
791387	8"	3-7/8"	DF-S4-#14x8-PH3-B	30	500
791389	10"	3-7/8"	DF-S4-#14x10-PH3-B	39	250
1298264	12"	3-7/8"	DF-S4-#14x12-PH3-B	48	250

*Note – Thread length measured from tip of the drill point to end of the threads.

#14 Stainless DEKFAST™ DF-S4-#14



Coating and Corrosion

15/15 Kesternich per FM 4470
950 hour salt spray per ASTM B117
Passivated stainless finish

Approvals



State of Florida: FL20311

Performance Data^{1,2,3}

Material Strength

Tensile	4000 lbf / 17793 N
Shear	2800 lbf / 12455 N
Torsional	100 lbf-in / 11.30 N-m

Pull Out Strength Steel

22 Ga Grade 40 steel (0.8 mm):	428 lbf / 1904 N
22 Ga Grade 80 steel (0.8 mm):	568 lbf / 2527 N

Pull Out Strength Wood

19/32" (15.1 mm) FR Plywood (through penetration):	552 lbf / 2455 N
---	------------------

¹ SFS-SC12250.10.17

² SFS 5509.18

³ PLK Standard

Installation and Application Considerations

Tools: 2000–2500 rpm screw guns with hardened #3 Phillips bit. The standard carton package includes one #3 Phillips bit. Not recommended for use in heavy industrial or marine environments, including swimming pool enclosures. For these applications, contact SFS for a stainless fastener recommendation.

Material:

- Steel thickness from 22 ga (0.030 in.) through 18 ga (0.048 in.): Min penetration: 3/4"
- Wood 2x (1-1/2" thick): Min penetration: 1"
- Plywood and OSB: Min through penetration: 3/4"

Use with:

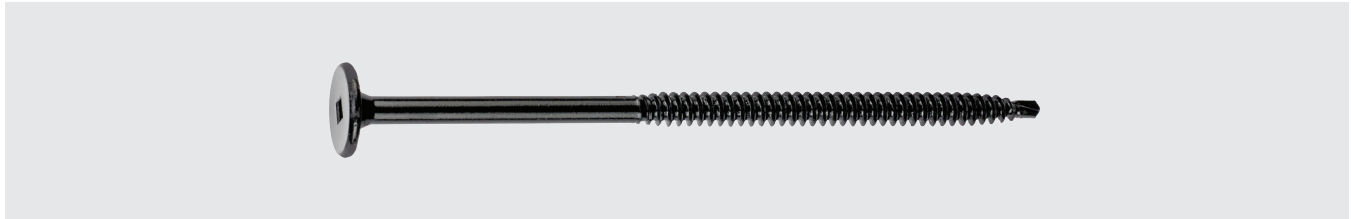
- Stress plates
- Batten bar
- Other attachment elements approved by the roofing system manufacturer for use with its products.

Metric values are approximate conversions.

The details stated are results of tests and/or calculations and therefore are non-binding and do not represent warranties or warranted characteristics for not specified applications. All calculations therefore have to be checked and approved by the responsible planner ahead of execution. The user is responsible to assure compliance with all applicable laws and regulations.

#14 Insulation Panel Fastener

DEKFAST™ IPF-#14-PC-SQ3



Features and Benefits

- Extra stable #3 square drive
- Flat head profile provides for flush engagement to the nail board
- Oversized head reduces the number of fasteners required
- No plates required
- Drill point and high-strength thread profile ensure positive attachment
- Cathodic epoxy e-coat

Application

Insulation panel and nail board attachment to steel and wood roof decks

Product Selection

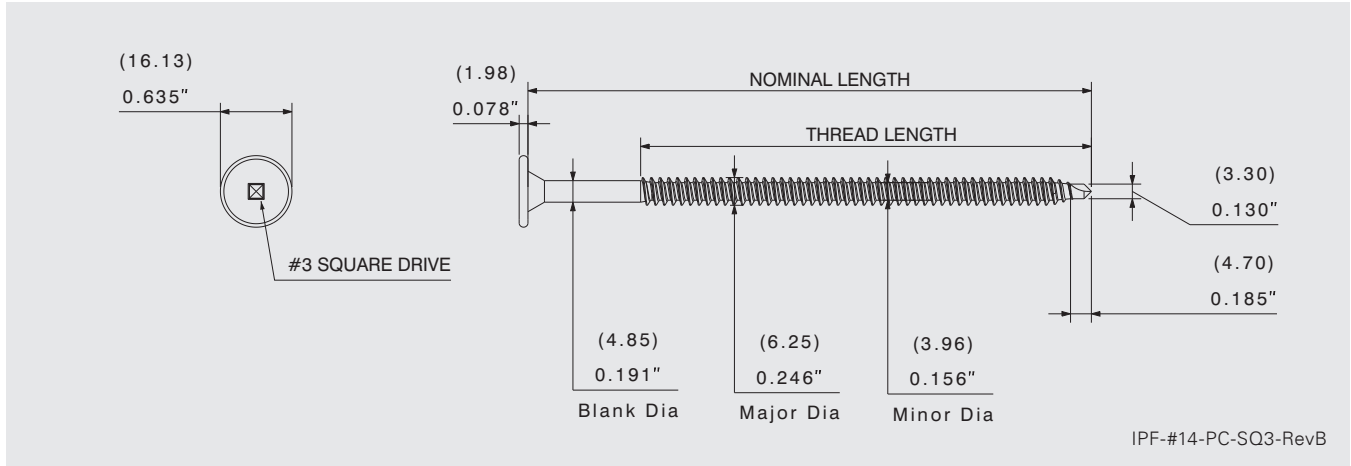
Material No.	Fastener Length	Thread* Length	Description	Carton Wt. (lbs.)	Carton Qty.
1119456	2-5/8"	1-1/2"	IPF-#14x2-5/8-PC-SQ3-E0999-B	15	500
1119468	3"	1-1/2"	IPF-#14x3-PC-SQ3-E0999-B	16	500
1119481	3-1/2"	3"	IPF-#14x3-1/2-PC-SQ3-E0999-B	18	500
1119482	4"	3"	IPF-#14x4-PC-SQ3-E0999-B	21	500
1119484	4-1/2"	3"	IPF-#14x4-1/2-PC-SQ3-E0999-B	23	500
1119486	5"	3"	IPF-#14x5-PC-SQ3-E0999-B	25	500
1119494	5-1/2"	3"	IPF-#14x5-1/2-PC-SQ3-E0999-B	27	500
1119495	6"	3"	IPF-#14x6-PC-SQ3-E0999-B	29	500
1119497	6-1/2"	3"	IPF-#14x6-1/2-PC-SQ3-E0999-B	31	500
1119501	7"	3"	IPF-#14x7-PC-SQ3-E0999-B	33	500
1119505	7-1/2"	3"	IPF-#14x7-1/2-PC-SQ3-E0999-B	34	500
786137	8"	3"	IPF-#14x8-PC-SQ3-E0999-B	18	500
1119513	8-1/2"	3"	IPF-#14x8-1/2-PC-SQ3-E0999-B	20	250
1119516	9"	3"	IPF-#14x9-PC-SQ3-E0999-B	20	250
1119539	10"	3"	IPF-#14x10-PC-SQ3-E0999-B	23	250

*Note – Thread length measured from tip of the drill point to end of the threads.



#14 Insulation Panel Fastener

DEKFAST™ IPF-#14-PC-SQ3



Coating and Corrosion

15/15 Kesternich per FM 4470
 800 hour salt spray per ASTM B117
 Cathodic epoxy e-coat

Performance Data^{1,2}

Material Strength

Tensile	3500 lbf / 15569 N
Shear	2700 lbf / 12010 N
Torsional	125 lbf-in / 14.12 N-m

Pull Out Strength

Wood - 1" Penetration

Face Grain:	823 lbf / 3661 N
Edge Grain:	845 lbf / 3759 N

Pull Out Strength

Wood - 1-1/2" Penetration

Face Grain:	1344 lbf / 5978 N
Edge Grain:	1320 lbf / 5872 N

Pull Out Strength

Grade E Steel Deck

22 Ga (0.8 mm):	498 lbf / 2215 N
-----------------	------------------

¹ SFS-SC12250.10.17

² SFS 5509.18

Installation and Application Considerations

Tools: 1800–2500 rpm screw gun equipped with depth sensing nose piece. The standard carton package includes one #3 square drive bit.

Material:

- Steel thickness from 22 ga (0.030 in.) through 18 ga (0.048 in.); Min penetration: 3/4"
- Wood 2x (1-1/2" thick): Min penetration: 1"
- Plywood and OSB: Min through penetration: 3/4"

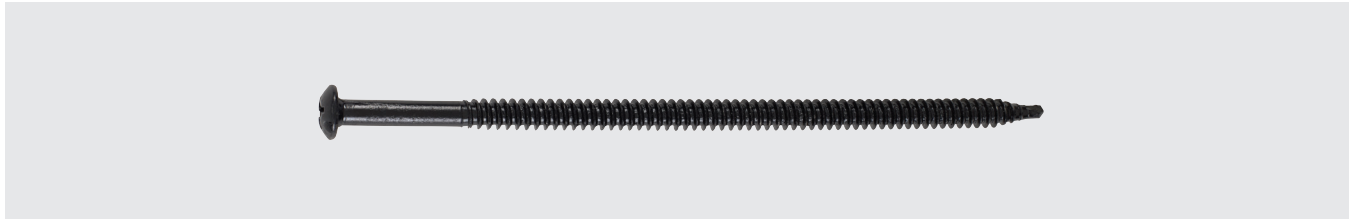
Metric values are approximate conversions.

The details stated are results of tests and/or calculations and therefore are non-binding and do not represent warranties or warranted characteristics for not specified applications. All calculations therefore have to be checked and approved by the responsible planner ahead of execution. The user is responsible to assure compliance with all applicable laws and regulations.

US
 T 800 234 4533
 www.sfsintecusa.com

Canada
 T 866 847 5400
 www.sfsintec.ca

#15 Phillips Head DEKFAST™ DF-#15-PH3



Features and Benefits

- Extra stable #3 Phillips drive
- Drill point design prevents fastener walking
- 13 threads per inch provides higher pull-out values
- Drill point cuts through gravel and BUR
- Cathodic epoxy e-coat

Application

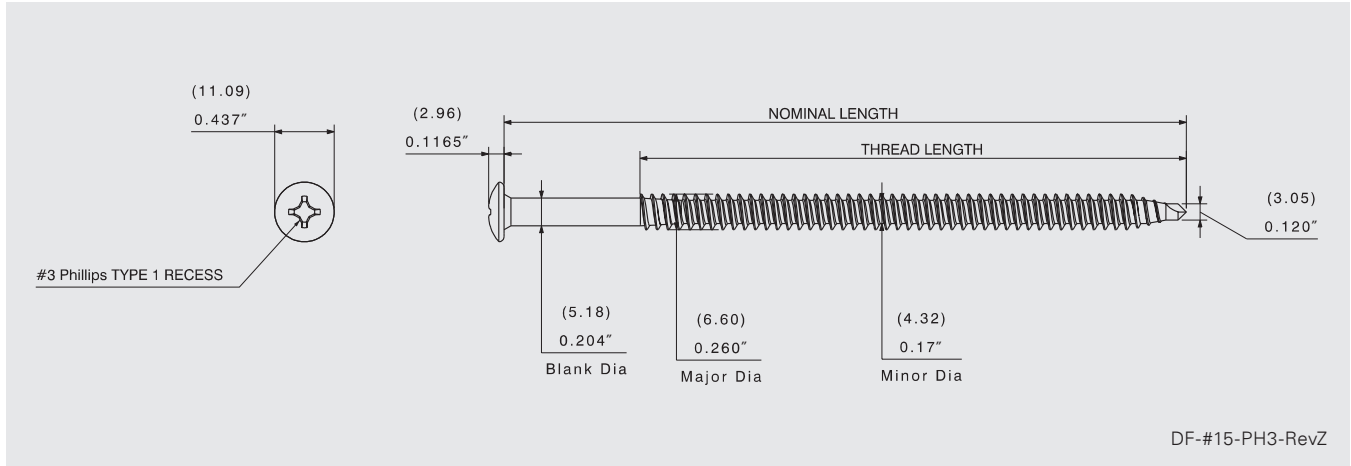
Insulation and membrane attachment to steel, wood and structural concrete decks

Product Selection

Material No.	Fastener Length	Thread* Length	Description	Carton Wt. (lbs.)	Carton Qty.
1204935	2"	1.75"	DF-#15x2-PH3-E0999-B	24	1,000
789609	3"	2.75"	DF-#15x3-PH3-E0999-B	30	1,000
789635	4"	3.75"	DF-#15x4-PH3-E0999-B	42	1,000
789664	5"	4"	DF-#15x5-PH3-E0999-B	51	1,000
789692	6"	4"	DF-#15x6-PH3-E0999-B	30	500
1230686	7"	4"	DF-#15x7-PH3-E0999-B	35	500
789740	8"	4"	DF-#15x8-PH3-E0999-B	40	500
1297437	9"	4"	DF-#15x9-PH3-E0999-B	45	500
789767	10"	4"	DF-#15x10-PH3-E0999-B	49	500
789791	12"	4"	DF-#15x12-PH3-E0999-B	29	250
789807	14"	4"	DF-#15x14-PH3-E0999-B	34	250
789822	16"	4"	DF-#15x16-PH3-E0999-B	38	250

*Note – Thread length measured from tip of the drill point to end of the threads.

#15 Phillips Head DEKFAST™ DF-#15-PH3



Coating and Corrosion

15/15 Kesternich per FM 4470
800 hour salt spray per ASTM B117
Cathodic epoxy e-coat

Approvals



State of Florida: FL20311

16-0712.08

Performance Data^{1,2}

Material Strength

Tensile	4350 lbf / 19350 N
Shear	3700 lbf / 16458 N
Torsional	130 lbf-in / 14.69 N-m

Pull Out Strength Steel

18 Ga (1.2 mm):	1140 lbf / 50171 N
20 Ga (0.9 mm):	898 lbf / 3995 N
22 Ga (0.8 mm):	683 lbf / 3038 N
24 Ga³ (0.6 mm):	453 lbf / 2015 N
26 Ga³ (0.5 mm):	301 lbf / 1339 N

¹ SFS-SC12250.10.17

² SFS 5509.18

Pull Out Strength Wood

2x dimensional lumber (1" penetration) (25.4 mm):	692 lbf / 3078 N
3/4" (19.1 mm) FR Plywood (through penetration):	703 lbf / 3127 N

Pull Out Strength Concrete

4000 psi (1" penetration) (25.4 mm):	728 lbf / 3228 N
---	------------------

Installation and Application Considerations

Tools: 2000–2500 rpm screw guns with hardened #3 Phillips bit. For structural concrete, 7/32" carbide bit and 1500 rpm screw gun or hammer drill in hammer mode. Structural concrete to be predrilled with standard 7/32" carbide bit to minimum 1/2" deeper than fastener penetration. The standard carton package includes one #3 Phillips bit.

Material:

- Steel thickness from 26 ga (0.019 in.) through 18 ga (0.048 in.); Min penetration: 3/4"
- Wood 2x (1–1/2" thick): Min penetration: 1"
- Plywood and OSB: Min through penetration: 3/4"
- Structural Concrete: Min penetration: 1"

Metric values are approximate conversions.

The details stated are results of tests and/or calculations and therefore are non-binding and do not represent warranties or warranted characteristics for not specified applications. All calculations therefore have to be checked and approved by the responsible planner ahead of execution. The user is responsible to assure compliance with all applicable laws and regulations.

US

T 800 234 4533

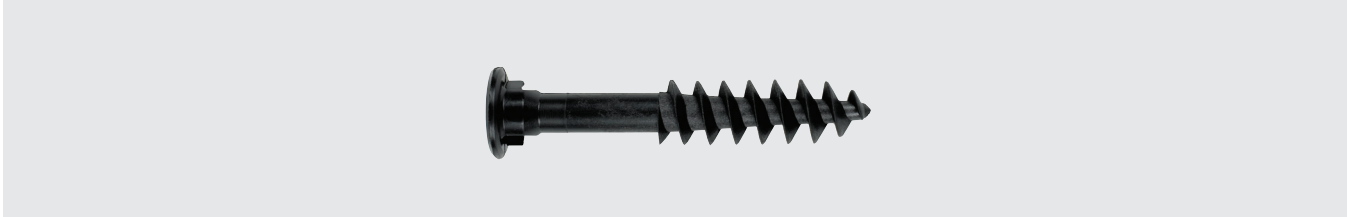
www.sfsintecusa.com

Canada

T 866 847 5400

www.sfsintec.ca

Nylon Reinforced Fiberglass Auger Deklite™ DL-SQ1/4



Features and Benefits

- Deklite tapered root progressively compacts the material making the deck denser around the root, increasing pull out values
- Auger locks to plate upon installation
- Tapered design also yields 70% more surface area leading to a greater holding power
- 1/4" square drive
- Non-penetrating

Application

Insulation and membrane attachment when used with Deklite™ stress plates. For lightweight roofdecks: lightweight concrete, Tectum and gypsum

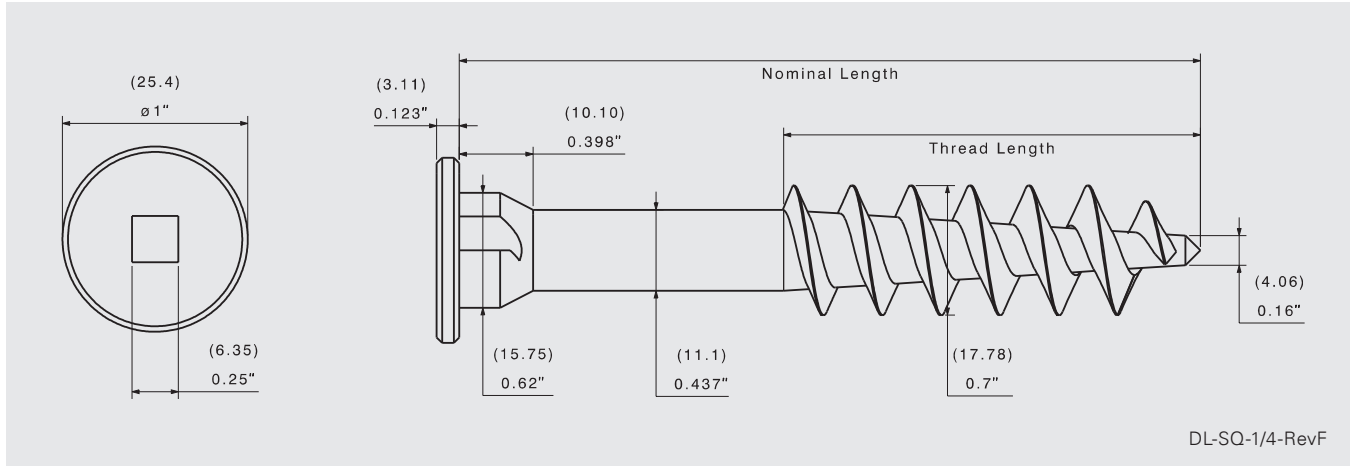
Product Selection

Material No.	Fastener Length	Thread* Length	Description	Carton Wt. (lbs.)	Carton Qty.
792776	2"	1-1/2"	DLx2-SQ1/4-B	14	500
792778	2-1/2"	2"	DLx2-1/2-SQ1/4-B	15	500
792780	3"	2-1/2"	DLx3-SQ1/4-B	17	500
792782	3-1/2"	2-1/2"	DLx3-1/2-SQ1/4-B	18	500
792784	4"	2-1/2"	DLx4-SQ1/4-B	19	500
792786	4-1/2"	2-1/2"	DLx4-1/2-SQ1/4-B	21	500
792788	5"	2-1/2"	DLx5-SQ1/4-B	22	500
792790	5-1/2"	2-1/2"	DLx5-1/2-SQ1/4-B	23	500
792792	6"	2-1/2"	DLx6-SQ1/4-B	25	500
792794	6-1/2"	2-1/2"	DLx6-1/2-SQ1/4-B	26	500
792796	7"	2-1/2"	DLx7-SQ1/4-B	14	250
792798	7-1/2"	2-1/2"	DLx7-1/2-SQ1/4-B	15	250
792800	8"	2-1/2"	DLx8-SQ1/4-B	16	250
792802	8-1/2"	2-1/2"	DLx8-1/2-SQ1/4-B	17	250
792804	9"	2-1/2"	DLx9-SQ1/4-B	17	250
792806	9-1/2"	2-1/2"	DLx9-1/2-SQ1/4-B	17	250
792807	10"	2-1/2"	DLx10-SQ1/4-B	18	250
792809	11"	2-1/2"	DLx11-SQ1/4-B	19	250
792810	12"	2-1/2"	DLx12-SQ1/4-B	21	250
792811	13"	2-1/2"	DLx13-SQ1/4-B	21	250

*Note – Thread length measured from tip of the drill point to end of the threads.



Nylon Reinforced Fiberglass Auger Deklite™ DL-SQ1/4



DL-SQ-1/4-RevF

Approvals



Performance Data

Base Material	Pre-Drill	Embed Depth	Tension Load
Tectum Deck	–	1-1/2" (38 mm)	280 lbf / 1246 N
Tectum Deck	–	2" (51 mm)	440 lbf / 1957 N
Tectum Deck	–	2-1/2" (64 mm)	595 lbf / 2647 N
3" (76 mm) Insulrock	5/16" (8 mm)	2-1/2" (64 mm)	365 lbf / 1624 N
Poured gypsum	3/8" (10 mm)	2" (51 mm)	540 lbf / 2402 N

*Load capacities are based on testing conducted according to ASTM Standard E 488. Test data above represents average ultimate loads sustained in the materials indicated and should be used as guidelines only. Job site tests are recommended. Tectum is a registered trademark of Tectum, Inc.

Installation and Application Considerations

Must be used with Deklite stress plate. Fixture clearance hole: 5/8". Fixture clearance holes are needed only when plywood or other rigid materials are fastened to roof deck.

Minimum penetration into deck material: 1-1/2"

Due to density differences in lightweight insulating concretes, Tectum, and gypsum type roof decks, conducting field pull out testing is recommended. The specific job conditions should be considered and appropriate safety factors applied when specifying the proper fasteners.

Tools: Impact wrench or hammer drills in the hammer mode.
The standard carton package includes one 1/4" square drive bit.

Use with:

- Lightweight insulating concrete
- Poured gypsum or gypsum plank
- Tectum

Metric values are approximate conversions.

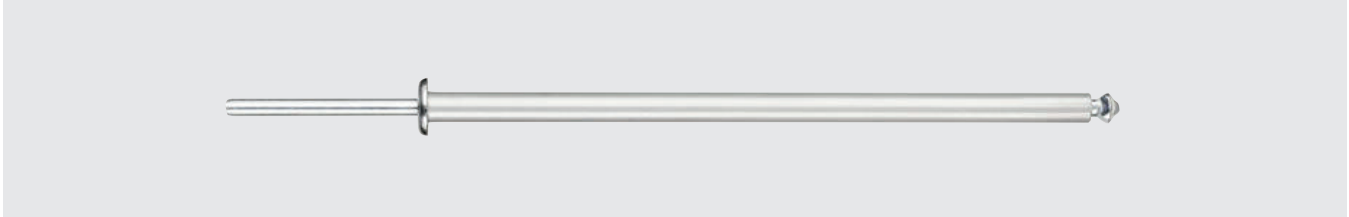
The details stated are results of tests and/or calculations and therefore are non-binding and do not represent warranties or warranted characteristics for not specified applications. All calculations therefore have to be checked and approved by the responsible planner ahead of execution. The user is responsible to assure compliance with all applicable laws and regulations.

US
T 800 234 4533
www.sfsintecusa.com

Canada
T 866 847 5400
www.sfsintec.ca

TPR Peel Rivet

TPR-L-6,3



Features and Benefits

- Two-piece, aluminum-magnesium alloy fastener
- Low profile mushroom head
- High pull out values
- Cannot be over-tightened
- Consistent structural performance
- One fastener can accommodate a wide range of material thicknesses
- Safe and successful installation every time
- Constructed from a highly corrosion resistant aluminum-magnesium alloy

Application

- Ideal for insulation and membrane attachment to problematic roof decks
- For use in roof decks where threaded fasteners cannot achieve required pull out values
- For use in corrosive building environments

Product Selection

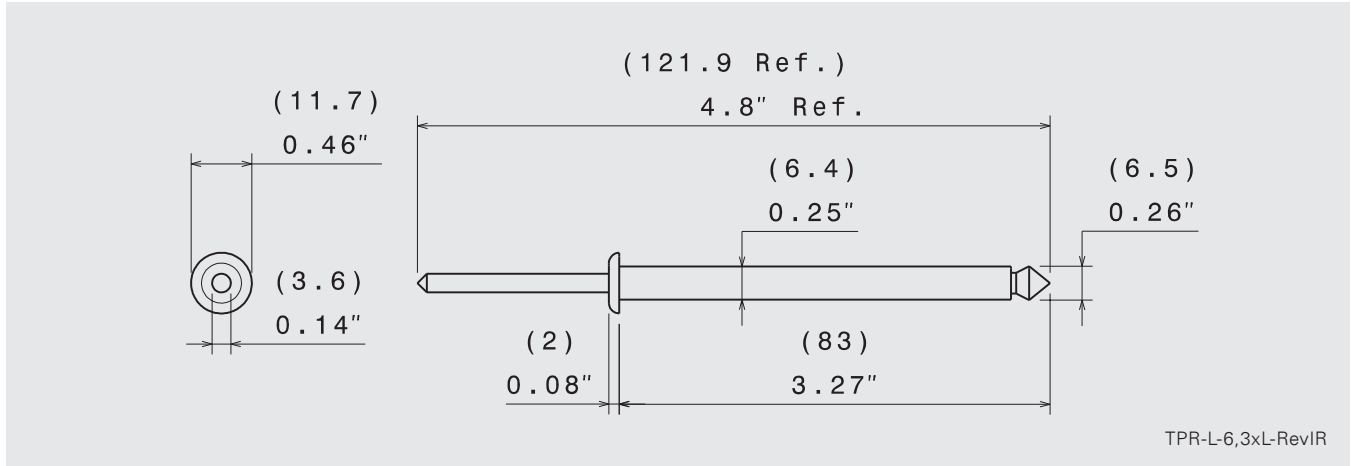
Material No.	Fastener Length	Recommended Minimum Clamping Length	Maximum Clamping Length	Description	Carton Wt. (lbs.)	Carton Qty.
1241233	1-1/2"	1/2"	1/2"	TPR-L-6,3x38 Peel Rivet	21	1,000
1326232	2"	1/2"	1"	TPR-L-6,3x51 Peel Rivet	25	1,000
1241241	3"	7/8"	2"	TPR-L-6,3x76 Peel Rivet	17	500
1241244	4"	1-5/8"	3"	TPR-L-6,3x102 Peel Rivet	21	500
1241246	5"	2-5/8"	4"	TPR-L-6,3x127 Peel Rivet	25	500
1241248	6"	3-5/8"	5"	TPR-L-6,3x152 Peel Rivet	29	500
1241249	7"	4-5/8"	6"	TPR-L-6,3x178 Peel Rivet	16	250
1241250	8"	5-5/8"	7"	TPR-L-6,3x203 Peel Rivet	18	250
1241251	9"	6-5/8"	8"	TPR-L-6,3x229 Peel Rivet	20	250
1241252	10"	7-5/8"	9"	TPR-L-6,3x254 Peel Rivet	22	250

Installation Tools

Material No.	Description	Carton Wt. (lbs.)
1492956	Taurus® 2 TPR tool with air hose. Pneumatic-hydraulic setting tool.	3.4
1457637	PowerBird® Pro Gold series. 18 volt brushless/cordless rivet tool.	4.4
1456674	SN2 Tong rivet tool. Hand operated manual pulling tool.	4.6

TPR Peel Rivet

TPR-L-6,3



Corrosion

15/15 Kesternich per FM 4470
Natural Aluminum finish

Performance Data¹

Material Strength

Shear	1423 lbf / 6329 N
-------	-------------------

Pull Out Strength

26 Ga (0.5 mm):	465 lbf / 2068 N
28 Ga (0.4 mm):	385 lbf / 1713 N
1/2" OSB (13 mm):	330 lbf / 1468 N
3" Poured Gypsum (76 mm):	430 lbf / 1913 N

¹ SFS 5571.18

Installation and Application Considerations

Tools: A specially designed pulling tool is required for all installations and is available in pneumatic and hand operated models.

Minimum of 1" penetration required in steel, wood fiber, wood, and lightweight concrete.

Pre-drill diameter for all substrates is 9/32" (7 mm). Note: Reduce maximum clamping length by 1/4" when fastening to wood fiber or fragile substrates.

Material:

- Steel: Min Penetration: 1"
- Wood: Min Penetration: 1"
- Wood fiber: Min Penetration: 1"
- Lightweight concrete: Min Penetration: 1"

Use with:

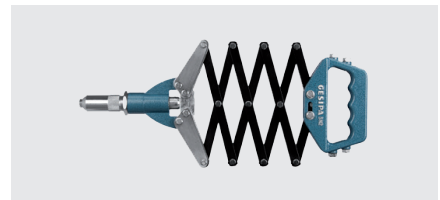
- isoweld® TPO or PVC plates
- 2" or 3" round Galvalume stress plates
- 2-7/8" hex Galvalume stress plates



TAURUS® 2 TPR Tool



PowerBird® Pro Gold Rivet Tool



SN2 Tong Rivet Tool